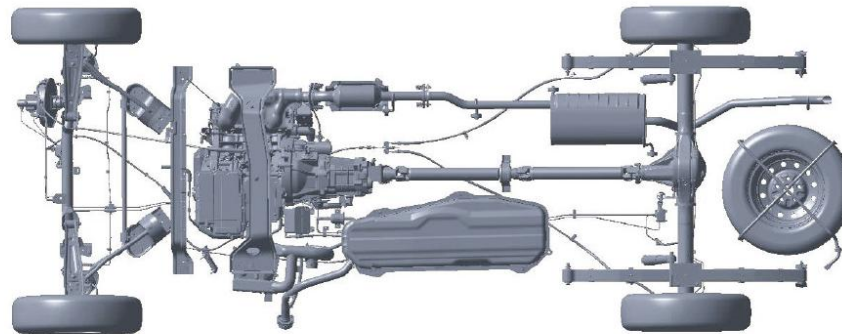




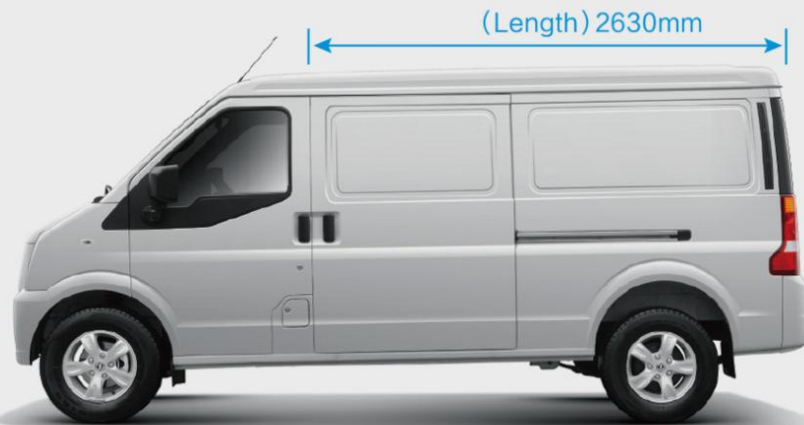
The third generation of chassis technology will provide the super load bearing

80mm broadened beam is solid and safe.9-horizontal and 2-vertical broadened beam (80mm)+reinforced body design,more stable and solid.





Large Container



5.1M³
Super Large Loading Space



MODEL PARAMETER

C35

■ Dimension&Mass		■ Engine			■ Chassis	
L×W×H (mm)	4500×1680×1960	Engine Model	DK15-06VVT	SFD12B	Braking System	Front disk & Rear drum, Dual Circuit Hydraulic
Wheelbase (mm)	3050	Emission standard	Euro 5B+	Euro 5B+	Braking System	Braking System
Tread(Front/Rear) (mm)	1435/1435	Displacemen (cc)	1499	1248	Driving Model	Rear-wheel drive
Curb Weight (kg)	1290	Power (kw)/Horsepower(ps)	85	55	Front/Rear Suspension	Macpherson Independent Suspension, Five-bar Rear
Gross Weight (kg)	1970	Max torque (N.m)	148	190		Non-independent Suspension.
Seats	2	Fuel Tank Capacity (L)	55l	55l		
Min.turning diameter (m)	10.5	Gear Box	5 MT	5 MT		
Max.gradeability(%)	30%	Max Speed(km/h)	140	140		
		Fuel Consumption(L/100km)	7.2	5.0		